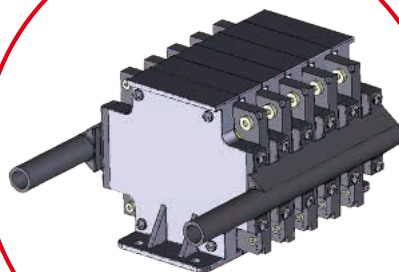
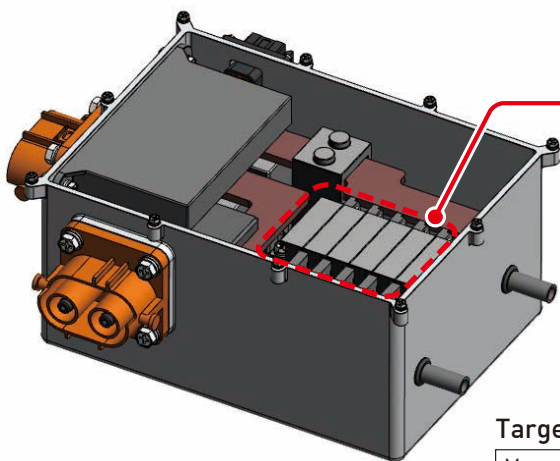


- Boosting from 400V to 800V at rapid charging of 400V
- Directly charging with bypass relays at rapid charging of 800V

- Need actions for charging of 800V BEV from existing 400V rapid charger which are mostly dominated

- Boost function enables charging of 800V BEV from existing rapid charger
- Reduce size by cooling both sides of DC/DC module
- Install rapid charging Junction Box and high voltage distribution functions



Cooling structure
for both sides

Target Specification

Max. output voltage	(1) 1000V (Support 350kW rapid charging) (2) 500V (Support 150kW rapid charging)
Max. output current	(1) 500A continuous (2) 180A continuous
Size	300×225×150mm